



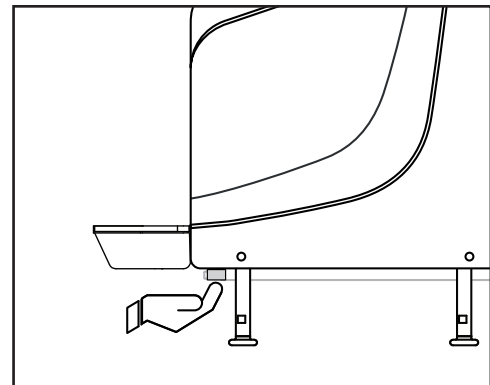
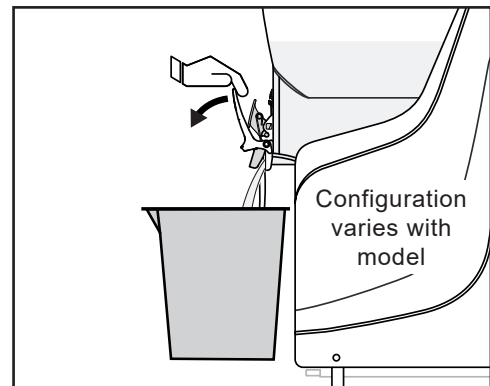
Frozen Beverage Dispenser Long-Term Power-Off Instructions

Power-Off Procedure

- 1 Place a large empty container under each dispenser tap. Empty and clean the frozen beverage dispenser according to the Daily Cleaning section of the user guide, supplied with the unit.*

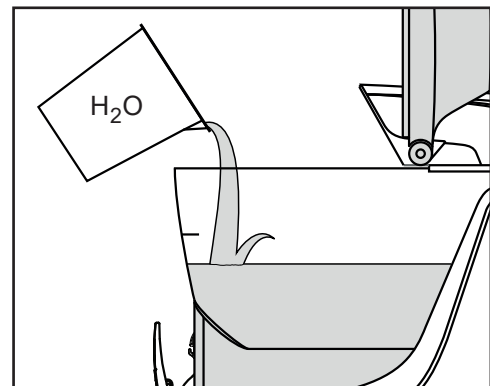
* The user guide may also be downloaded from the Curtis web site: www.wilburcurtis.com/get-support

- 2 Turn the main power switch to the "OFF" position and make sure that the bowl lids are closed.



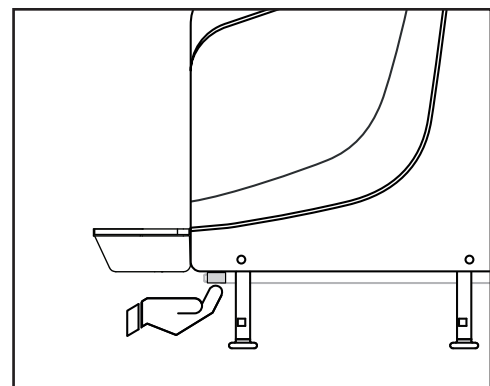
Power-On Procedure

- 1 Fill the bowls with clean, cold water, up to the fill line.



- 2 Turn the main power switch to the "ON" position.

continued...

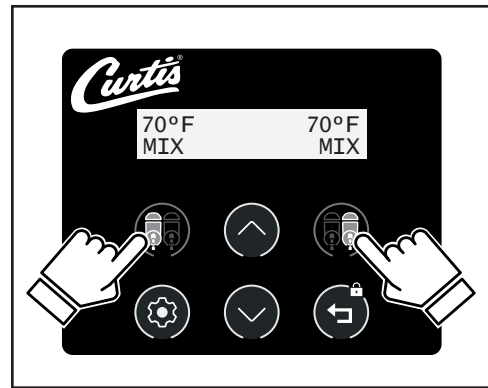


Power-On Procedure (cont.)

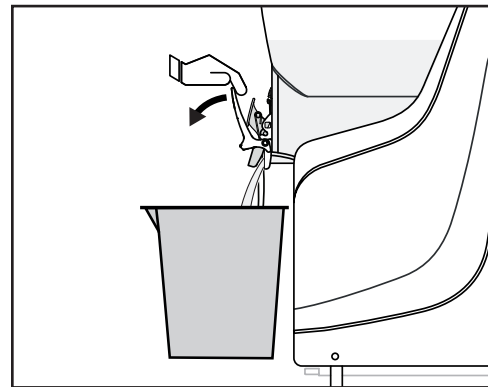
- 3 Push the operating mode buttons repeatedly for each bowl until MIX appears on the display.



NOTICE - To prevent damage to the unit, DO NOT set the control panel to the SLUSH setting with only water in the bowl.



- 4 Place a large empty container under each dispenser tap. Drain the contents out of each bowl. Hold the container up to the tap to reduce splashing.



- 5 Once the bowls are empty, turn the main power switch to the "OFF" position. The unit is ready for use.

If you have questions about restoring this unit to operation after extended periods of non-use, please contact your service provider, agent or Curtis Technical Support.

