



GOURMET COFFEE GRINDERS

RETAIL AND SUPERMARKET MODELS

ITEM NO

PROJECT

DATE

FEATURES AT A GLANCE

- Automatic Operation
- On/Off and Bag Interlock Switch - machine will grind only when bag is in place
- "Click-Stop" Adjustable Grind Settings - from extra coarse to espresso
- 2.5 lb. Hopper Capacity - with wide mouth opening
- Standard Black or Red Finish
- Positive Flow Gravity Feed with Stainless Steel Hopper - allows for uninterrupted bean flow
- Hopper Safety Guards
- Investment Cast/Precision Machine Cut Grinding Burrs - for long life and precise grind control
- Uniform Grind Profile - without burning or scorching
- Powerful .5 hp Motor
- Front-Mounted Safety Circuit Breaker
- Standard 120VAC operation

Click-Stop Grind Settings

From extra coarse to espresso.



Regular Perk



Electric Perk



Auto Drip



Fine



Espresso



GSG-3BLK



GSG-3RED

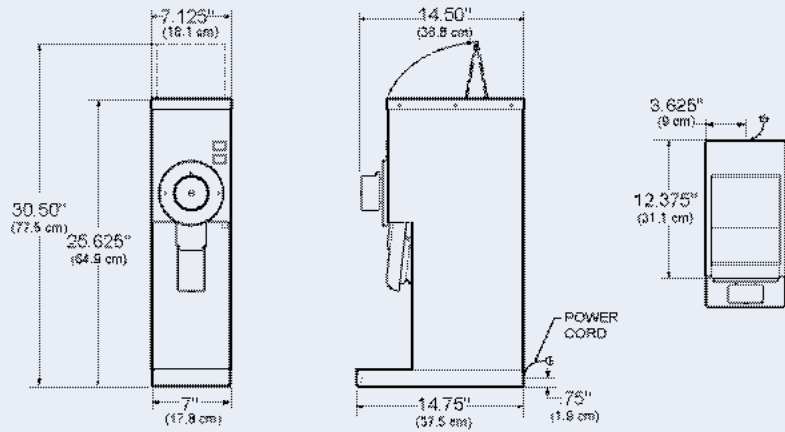
Heavy-Duty Performance

Grind all types of gourmet coffees from extra coarse to espresso with the Curtis Gourmet Coffee Grinder. Designed for supermarkets and Specialty Coffee Retailers, these self-serve grinders quickly create beautifully ground coffee from whole roasted beans. Curtis grinders feature a large-capacity hopper for quick throughput, integral on/off

and bag-in-place switch, standard 120VAC operation and much more.

Customers simply select their preferred grind with the exclusive click-stop selector, deposit beans, and put the bag in place. In moments, the Curtis GSG quickly grinds the beans for a perfectly rich, flavorful pot of coffee.

GSG



SPECIFICATIONS	GSG
Hopper Capacity	2.5 lbs.
Dimensions (HxWxD)	25.625 x 7.125 x 14.75
Voltage	120VAC/60Hz
Power Requirements	8A
Motor	.50 HP
Shipping Weight	52 lbs.
Cube	4.36 cu. ft.



WARNING - These products can expose you to chemicals including Acrylamide and Bisphenol A (BPA), which are known to the State of California to cause cancer and birth defects or other reproductive harm. For more information visit www.P65Warnings.ca.gov



WILBUR CURTIS COMPANY, INC.
 6913 Acco Street, Montebello, CA 90640-5403
 Telephone: 800-421-6150 · 323-837-2300
 Fax: 323-837-2406
www.wilburcurtis.com

