



ILGD

From the first name in coffee brewing comes the first coffee grinders of the 21st century! The Digital InterLock Series from Curtis, with ADS™ (Advanced Digital System) technology. These coffee grinders enable users to link grinder to brewer for the perfect brew, every time.

Specially designed and styled for use with Gemini® and ThermoPro™ Series brewers with 3-Batch option, these advanced grinders interlock for complimentary systems, making fresh grind/fresh brew programs a snap. And Dual Hopper capacity gives you the flexibility to fresh grind from two separate selections, making your specialty or decaf coffee as fresh as your house blend.

ITEM NO _____

PROJECT _____

DATE _____

Advanced Digital System™ – A Curtis Exclusive

ADS™ represents the future of coffee equipment technology, giving operators unparalleled control, consistency, quality and ease of use.

ADS™ Features:

- **Digital Superiority** – Electronic solid state technology centralizes controls on the front Touchkey Panel for easy programming and precise performance.
- **Touchkey Control Panels** – Provides up to 10 times longer working life than mechanical switches and a smooth surface for easier cleaning and maintenance.
- **Fully Programmable Grind Cycle** – Digital LED readout shows grind cycle length clearly. Set grind cycle from 1 to 99 seconds
- **Self-Diagnostic** – ADS™ technology expedites service.
- **One Touch Grind-to-Brew** – When combined with the GEMGT or ThermoPro™, digital controls automatically select brewing cycle to correspond with selected grind quantity for error-proof brewing every time.

The Easiest Interface Ever

Digital Controls

LED Display — Indicates grind cycle length for absolute accuracy of grind. Dial-in perfect grind length, eliminate guessing.

Grind Select Buttons — Select from small, medium, large and the InterLockE system automatically locks in grind time on the brewer (3-batch only option). Each button is fully programmable to your specifications.

Grind Select Indicator Lights — Lets you know clearly which cycle length is currently grinding.

On/Off Switch



Factory-set grind cycles can be easily changed.

Grind time for each cycle is accurately displayed by the read-out. To change, simply follow these steps (each button is set independently):

- Turn the grinder off. Place a brew cone and filter in the machine.
- Press and hold the grind cycle button. At the same time press and release the ON/OFF button.
- Now press the grind cycle button again. The display will indicate its current setting. Immediately following it will begin grinding. The display will indicate the elapsed time from zero.
- When the desired level is reached, release the button.*
- Wait until the motor has stopped completely, and press any OTHER button on the same side. This sets the time and exits the programming mode.

NOTE: *Add time by pressing and holding the flashing button until the desired level is reached.

Digital InterLock™ System – Only from Curtis. Automatic Grinder-to-Brewer Interface

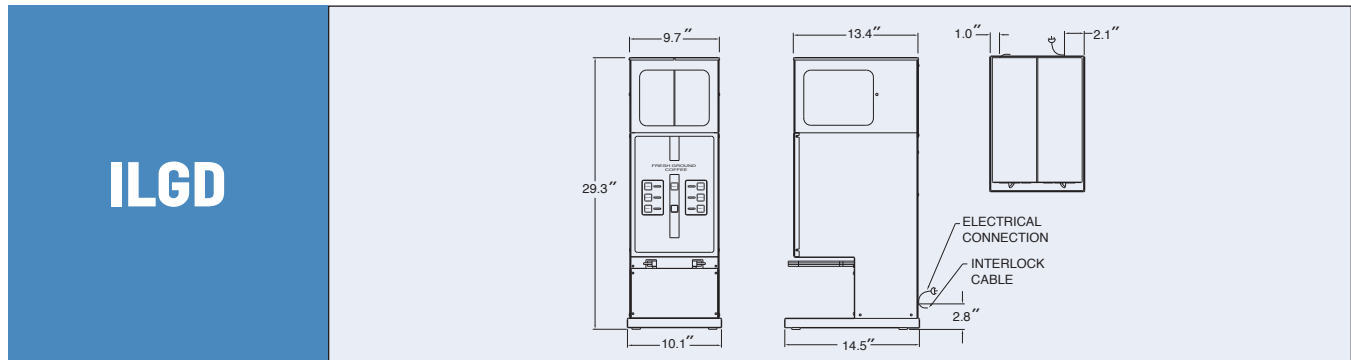
Designed for fresh grind/fresh brew programs, the Curtis Digital InterLock™ System connects compatible Digital Control Coffee Brewers to Digital Control Grinder for simple, error-proof grinding and brewing.

With the push of a button, the Grinder automatically conveys the selected grind volume to the brewing system.

The brew selection is then “locked-in” to the corresponding grind cycle...incorrect cycles are “locked out.” If both brewer sides are in use, the Grinder’s memory stores the information and waits until a side is available.

Standard Features

- **Dual-Hoppers** - Include decaf or a specialty coffee in your fresh grind/fresh brew program.
- **Infinitely Adjustable Grind Settings** - From extra coarse to extra-fine grinding.
- **Larger Hopper Capacity than Competitive Models** - Reduces labor costs with less frequent refills.
- **Positive Flow Auger** - For uninterrupted coffee dispensing.
- **Self-Adjusting Brew Rails** - Easily handle large Gemini brew baskets.
- **Wide Match Profile** - Brew rails never extend beyond housing with larger baskets.
- **Large Grinding Burrs** - Provide faster more efficient operation.
- **Accurate and Consistent Throw** - For even distribution, chaff reduction.
- **Uniform Grind.**
- **Powerful 1/2 hp Motor** - Equipped with safety circuit breaker.
- **Standard 120VAC Operation.**



ILGD SPECIFICATIONS

Grind Cycles (Per Side)	3 per side
Hopper Capacity (Whole Beans)	7.5 lbs ea. side
Timer	Digital InterLock
Portion Range	1 to 99 Seconds
Dimensions (H x W x D)	29.3" x 10.1" x 14.5"
Voltage	120VAC/60Hz
Power Requirements	8.0A
Motor	1/2 hp
Shipping Weight (lbs.)	60 lbs.
Cube (cu. ft.)	4.6 cu. ft.

ILGD FACTORY SETTINGS

Volume/Grind Setting	Large - 15 sec. Medium - 10 sec. Small - 5 sec.
----------------------	---



WARNING - These products can expose you to chemicals including Acrylamide and Bisphenol A (BPA), which are known to the State of California to cause cancer and birth defects or other reproductive harm. For more information visit www.P65Warnings.ca.gov



WILBUR CURTIS COMPANY, INC.

6913 Acco Street, Montebello, CA 90640-5403

Telephone: 800-421-6150 · 323-837-2300 · Fax: 323-837-2406 · www.wilburcurtis.com



AUG/18 – 7829 – F-3122 – Rev B