



NARROW ICED TEA/COFFEE DISPENSERS

MODEL: TCN, TCN14, TCN1510

ITEM NO

PROJECT

FEATURES AT A GLANCE

- **All Domestic Stainless-Steel Construction** – Unit never cracks or discolors.
- **Welded-on Stainless Steel Handle in Front and Hand Grip in Back** – No screws or plastic.
- **Narrow Design** – An ideal dispenser when counter space is limited.
- **Great Custom Branding Options** – Colorful merchandising label attracts customers or create custom full wraps for the TCN.
- **Maintained Product Volume** – Despite the condensed dimensions, volume is not compromised.

BREW-THROUGH LID

- **Innovative Brew-Through Lid** offers the convenience of brewing tea without having to remove the lid. The unique design allows the operator to slide the rear cover to the “open” position for brewing and to slide it back to the “closed” position when complete.



TCN

3.5 Gallon Narrow Tea Dispenser (22.13”H)



TCN14

3.5 Gallon Narrow Tea Dispenser Short (15.13”H)



TCN1510

1.5 Gallon Narrow Tea Dispenser Short (9.75”H)

Curtis Narrow Beverage Dispensers – Small footprint, large profits.

Offer your customers the best in style and versatility with the TCN narrow beverage dispenser from Curtis. The dispenser features a slim, modern design that works as good as it looks to promote iced/tea coffee sales. Placing two narrow dispensers side by side gives the same footprint as one standard TCO dispenser. Unlike some other dispensers, the TCN requires no plastic liner, which can stain and crack over time.

Best of all, the stainless steel vessel is easy to clean and delivers years of dependable service. For iced tea and coffee equipment that lasts, nobody measures up to Curtis.



TCNRS

Remote Stand Sold Separately (Shown with TCN1510)



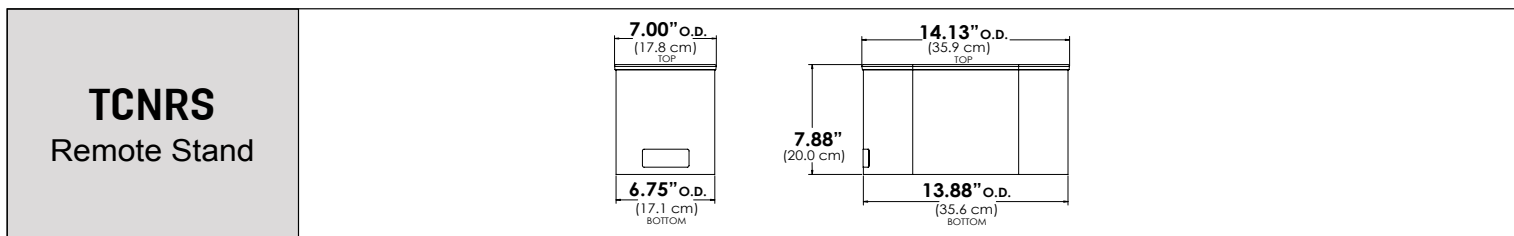
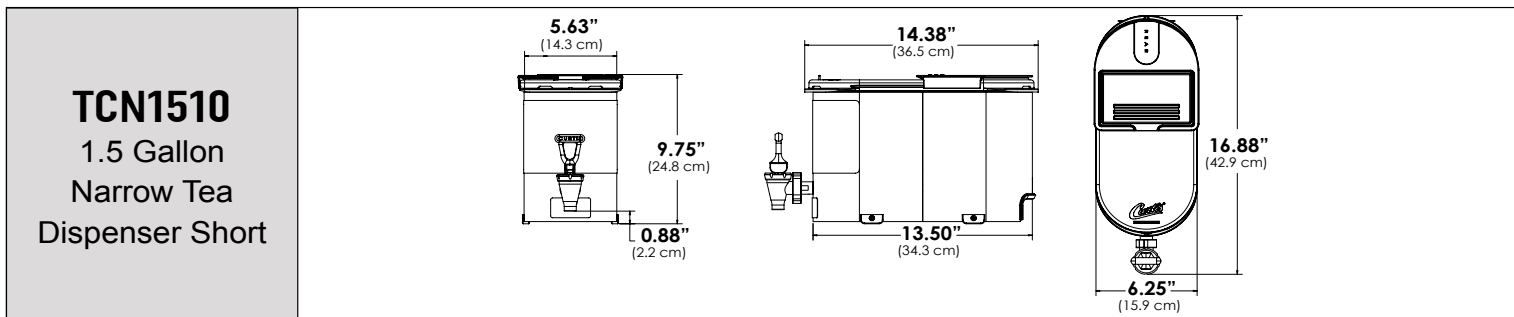
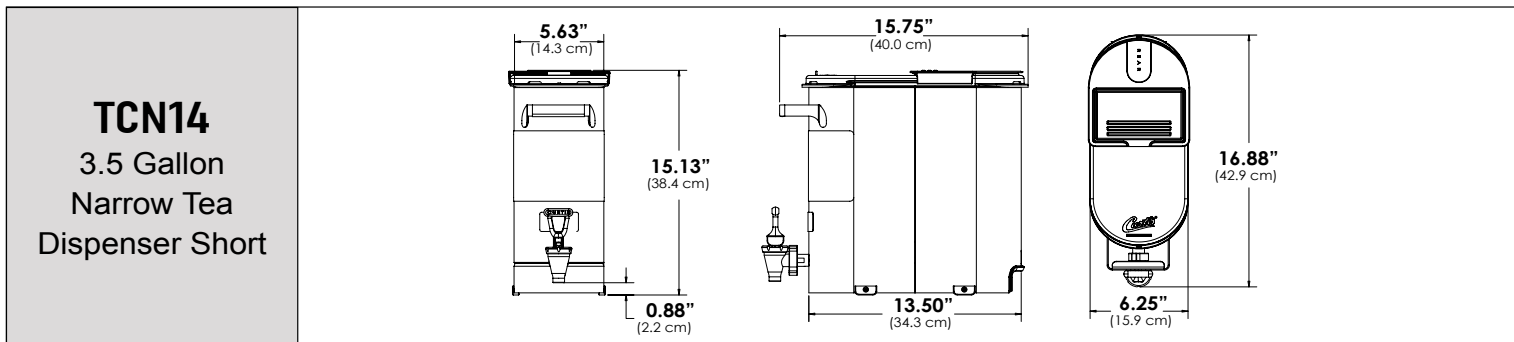
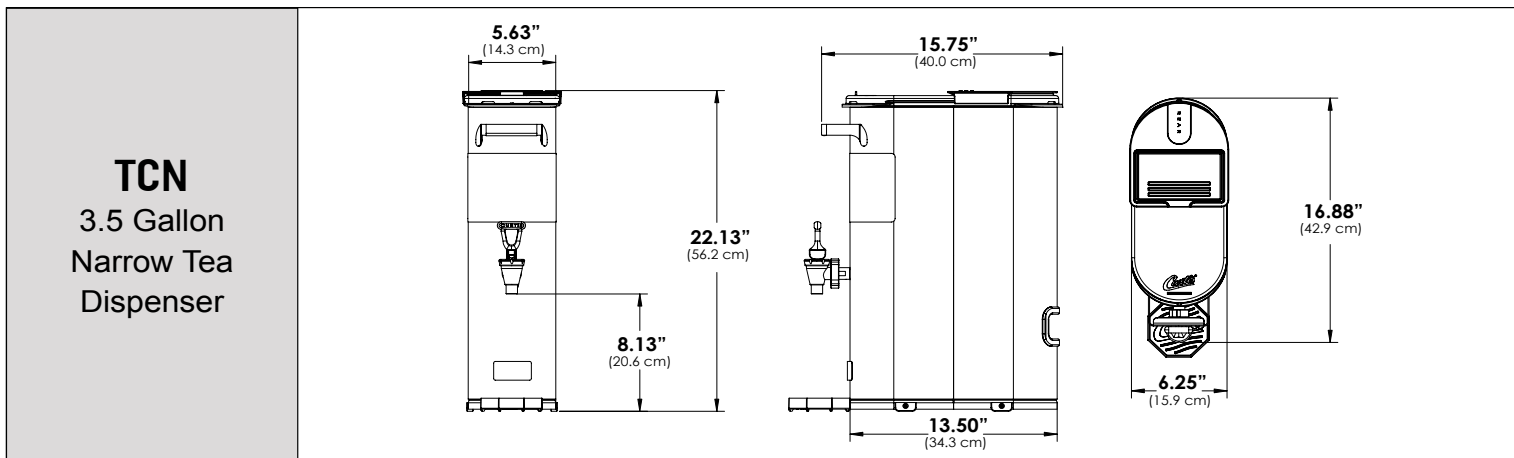
WC-38472

Iced Coffee Graphic



WC-5686

Drip Tray



SPECIFICATIONS

MODEL	CAPACITY	DIMENSION (H x W x D)	FAUCET CLEARANCE	SHIP WEIGHT	SHIP CUBE
TCN	3.5 Gallons	22.13" x 6.25" x 16.88"	8.13"	10.0 lbs.	1.68 cu. ft.
TCN14	3.5 Gallons	15.13" x 6.25" x 16.88"	8.13" with TCNRS Stand	8.0 lbs.	1.60 cu. ft.
TCN1510	1.5 Gallons	9.75" x 6.25" x 16.88"	8.13" with TCNRS Stand	10.0 lbs.	1.37 cu. ft.
TCNRS	N/A	7.88" x 7.00" x 14.13"	N/A	10.0 lbs.	1.37 cu. ft.

SPECIFICATIONS SUBJECT TO CHANGE WITHOUT NOTICE

! WARNING - These products can expose you to chemicals including Acrylamide and Bisphenol A (BPA), which are known to the State of California to cause cancer and birth defects or other reproductive harm. For more information visit www.P65Warnings.ca.gov



WILBUR CURTIS COMPANY, INC.
6913 Acco Street, Montebello, CA 90640-5403
Telephone: 800-421-6150 · 323-837-2300
Fax: 323-837-2406
www.wilburcurtis.com

