

# G4 ThermoPro® One Gallon Coffee Brewers

## in Sky White and Black



### **G4TP1S63W3100**

Sky White Single Coffee Brewer with 1.0 Gallon TFT1G without base (sold separately)



### **G4TP1TW3100**

Sky White Twin Coffee Brewer with 1.0 Gallon TFT1G without base (sold separately)



### **G4TP1S63B3100**

Black Single Coffee Brewer with 1.0 Gallon TFT1G without base (sold separately)



### **G4TP1T10B3100**

Black Twin Coffee Brewer with 1.0 Gallon TFT1G without base (sold separately)

## ■ Brewer Features

Generation Four (G4) Digital Control Module  
Large, 4.3" Touch Screen

Icon-Driven Interface  
Real Time Feedback

Built-in Self Diagnostic System  
Energy Saving Mode



TXSG0101S600  
1.0 Gallon  
with Sight Glass



TFTR1G  
1.0 Gallon  
with Rear-Facing Display



TFT1G  
1.0 Gallon  
with Lockable Base



TFT1G2  
1.0 Gallon  
without Base



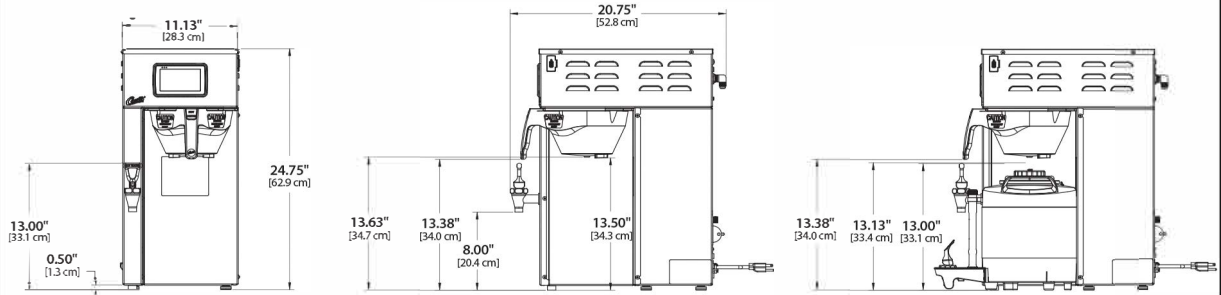
TFT1G3  
1.0 Gallon  
Non-Lockable Base



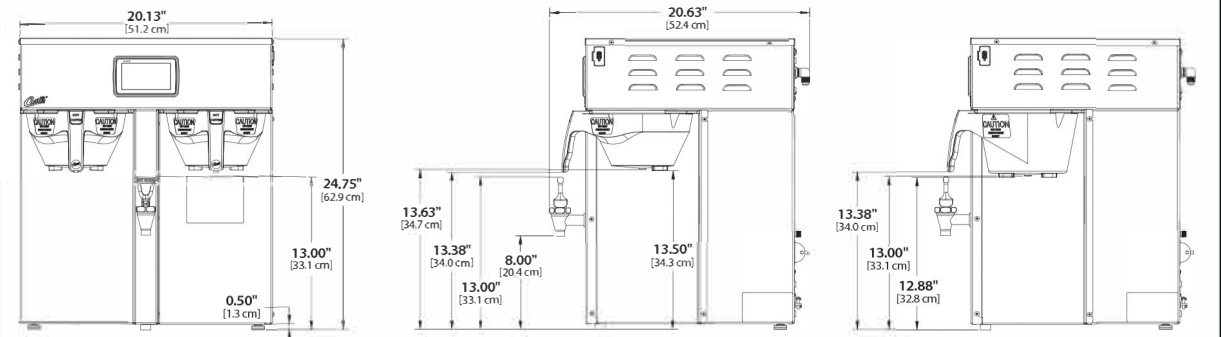
Perfecting the art of brewing since 1941

# G4 ThermoPro® One Gallon Coffee Brewers

## G4TP1S63W3100 G4TP1S63B3100 G4 Single One Gallon Coffee Brewer



## G4TP1T10W3100 G4TP1T10B3100 G4 Twin One Gallon Coffee Brewer



## Specifications

MODEL #	DESCRIPTION	HEIGHT x WIDTH x DEPTH	BREWER FILL WEIGHT	BREWED GAL/HR
G4TP1S63W3100	G4 ThermoPro® Single 1.0 gal., Sky White	24.75" x 11.13" x 20.75"	59.4 lbs.	4.5/10.0
G4TP1S63B3100	G4 ThermoPro® Single 1.0 gal., Black	24.75" x 11.13" x 20.75"	59.4 lbs.	4.5/10.0
G4TP1T10W3100	G4 ThermoPro® Twin 1.0 gal., Sky White	24.75" x 20.13" x 20.63"	118.4 lbs.	15.0/21.0
G4TP1T10B3100	G4 ThermoPro® Twin 1.0 gal., Black	24.75" x 20.13" x 20.63"	118.4 lbs.	15.0/21.0

## Utility Requirements

MODEL #	PHASE	VOLTS	AMPS	ELECTRICAL					WATER			
				MIN. CIRCUIT	HEAT CONFIG	WIRE	WATTS	HERTZ	CONNECTOR	PRESSURE	MIN. FLOW RATE	TANK VOL.
G4TP1S63W3100	1 PH	110/220V	13.8/12.2A	15/20A	2 x 1600W	2/3W+G	1650/2700W	50/60 Hz	3/8" Flare	20 - 90 psi	1.0 GPM	2.2 gal.
G4TP1S63B3100	1 PH	110/220V	13.8/12.2A	15/20A	2 x 1600W	2/3W+G	1650/2700W	50/60 Hz	3/8" Flare	20 - 90 psi	1.0 GPM	2.2 gal.
G4TP1T10W3100	1 PH	220V	23.0/34.5A	30/50A	3 x 2500W	3W+G	5100/7600W	50/60 Hz	3/8" Flare	20 - 90 psi	2.0 GPM	5.2 gal.
G4TP1T10B3100	1 PH	220V	23.0/34.5A	30/50A	3 x 2500W	3W+G	5100/7600W	50/60 Hz	3/8" Flare	20 - 90 psi	2.0 GPM	5.2 gal.

SPECIFICATIONS SUBJECT TO CHANGE WITHOUT NOTICE

## Dispenser Reference Guide

MODEL #	TXSG0101S600	TFT1G/TFTR1G	TFT1G2	TFT1G3
G4TP1S63W3100	✓	✓	✓	✓
G4TP1S63B3100	✓	✓	✓	✓
G4TP1T10W3100	✓	✓	✓	✓
G4TP1T10B3100	✓	✓	✓	✓



WARNING - These products can expose you to chemicals including Acrylamide and Bisphenol A (BPA), which are known to the State of California to cause cancer and birth defects or other reproductive harm. For more information visit [www.P65Warnings.ca.gov](http://www.P65Warnings.ca.gov)



Wilbur Curtis Co., Inc. / 6913 Acco Street / Montebello CA 90640  
800.421.6150 / 323.837.2300 / [www.wilburcurtis.com](http://www.wilburcurtis.com)  
Perfecting the art of brewing since 1941

AUG/2018 F-5005 revA