

# G3 ThermoProX® 1.5 Gallon Brewers



**TPX2S63A3100**  
G3 Single 1.5 Gallon Brewer  
(Dispenser sold separately)



**TPX2T10A3100**  
G3 Twin 1.5 Gallon Brewer  
(Dispensers sold separately)

## Features

G3 Digital control module provides precise control over all aspects of brewing in an intuitive, easy-to-operate system.

Pre-Set Global Recipes at the Touch of a Single Button – No complex equipment required.

Stainless-steel ThermoPro® vacuum-sealed servers keep coffee fresh, hot and flavorful.

Centrally located hot water spout for instant hot beverages and other hot water needs.

## Recommended Dispensers (Sold Separately)

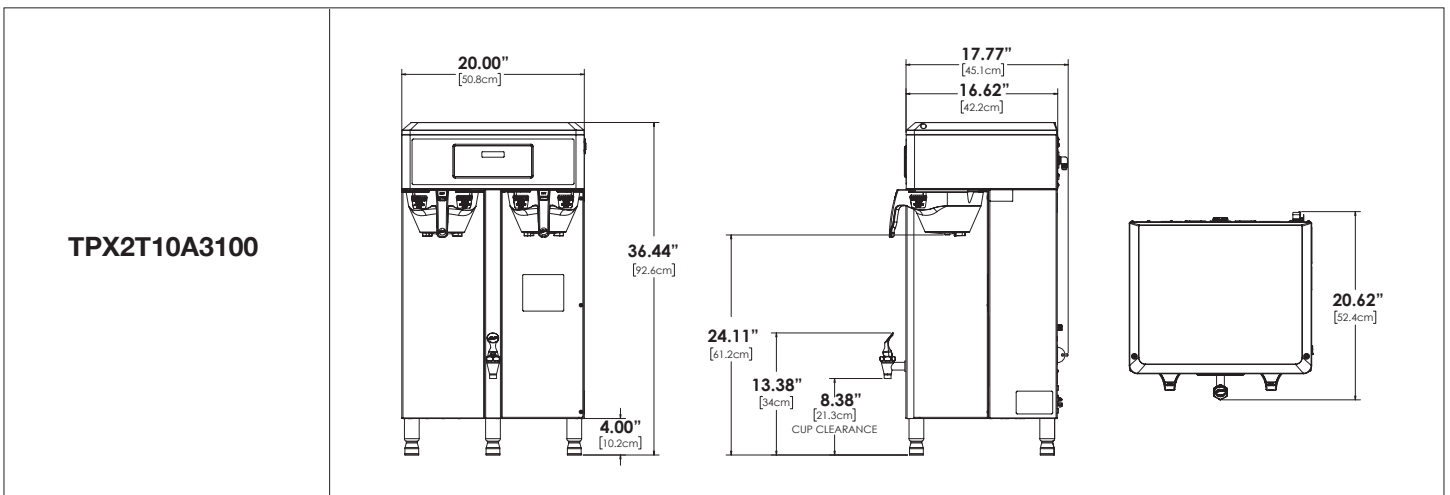
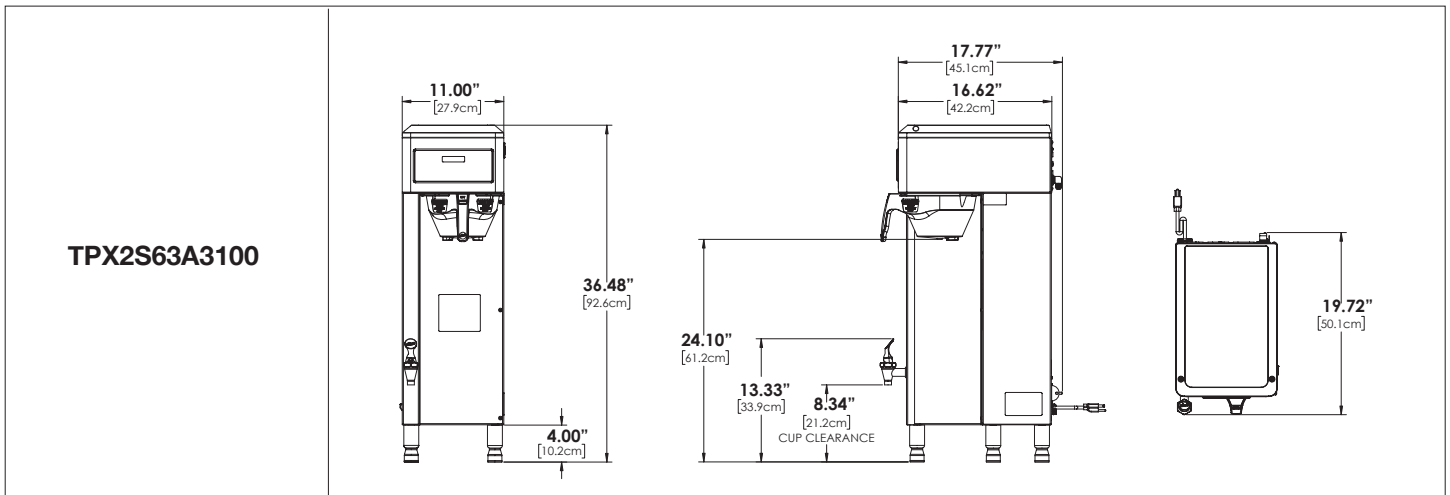


**TXSG1501S600**  
1.5 Gal. Thermal  
Dispenser



**TFT15G**  
1.5 Gal. Thermal  
FreshTrac Dispenser

# G3 ThermoPro<sup>®</sup> 1.5 Gallon Brewers



## Dimensions

MODEL#	DESCRIPTION	HEIGHT x WIDTH x DEPTH	BREWED FILL WEIGHT	BREWED G/HR
TPX2S63A3100	G3 ThermoPro <sup>®</sup> Single 1.5 Gallon Brewer	36.48" x 11.00" x 19.72"	77.2 lbs.	4.5/12.0
TPX2T10A3100	G3 ThermoPro <sup>®</sup> Twin 1.5 Gallon Brewer	36.44" x 20.00" x 20.62"	132.6 lbs.	15.0/21.0

## Utility Requirements

MODEL#	PHASE	VOLTS	AMPS	ELECTRICAL				WATER			
				HEAT CONFIG	WIRE	WATTS	HERTZ	CONNECTOR	PRESSURE	MINIMUM FLOW RATE	TANK VOL.
TPX263A3100	1 PH	120/220V	15.0/12.7A	2 X 1600W	2W/3W + G	1800/2800W	50/60Hz	3/8" Flare	20 - 90 psi	1.0 GPM	2.9 gal
TPX2T10A3100	1 PH	220V	23.0/34.5A	3 X 2500W	3W + G	5100/7600W	50/60Hz	3/8" Flare	20 - 90 psi	2.0 GPM	6.9 gal



**WARNING** - These products can expose you to chemicals including Acrylamide and Bisphenol A (BPA), which are known to the State of California to cause cancer and birth defects or other reproductive harm. For more information visit [www.P65Warnings.ca.gov](http://www.P65Warnings.ca.gov)

